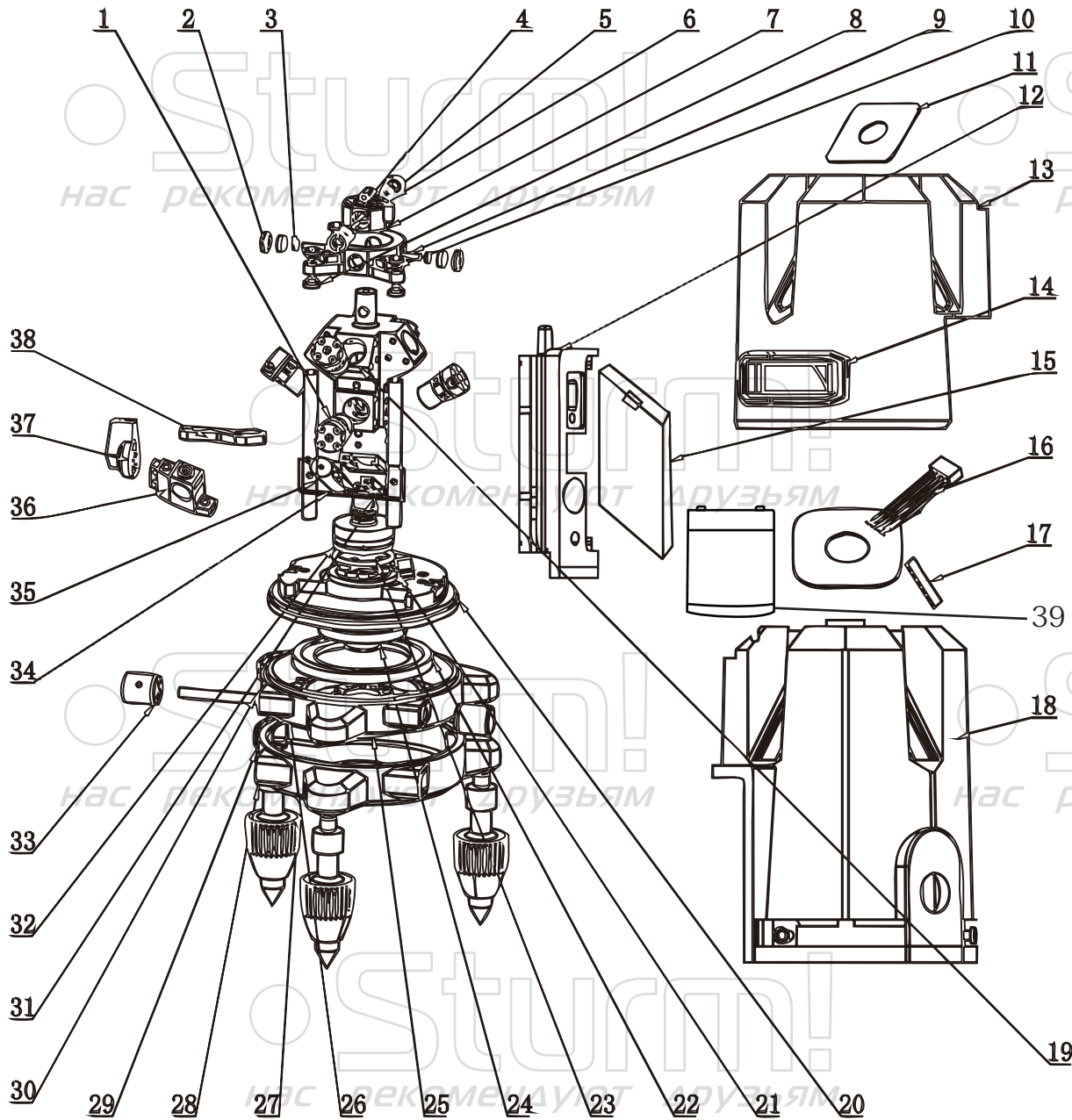


4010-11-AL



No	Discription
1	laser diode with dot
2	copper ring with thread
3	gasket
4	shaft sleeve
5	shaft $\phi 3 \times 19.5$
6	rolling bearing 3*3*8mm
7	inner ring
8	column shim
9	shaft $\phi 3 \times 12$
10	outer ring
11	rubber button
12	battery compartment with lithium battery
13	top cover
14	horizontal window
15	battery compartment cover
16	button board
17	vertical glass
18	outer housing
19	pendulum(off-center)
20	turn table
21	damping plate
22	gear ring
23	electronic o-ring
24	glass $\phi 17.5 \times 1$
25	bottom base
26	extension spring
27	adjustable leg
28	anchor bolt
29	rubber covering
30	toothed bar
31	plumb down laser doide
32	hammer
33	fine adjustment
34	main board
35	volumn
36	switch base
37	switch
38	plastic locking plate
39	battery